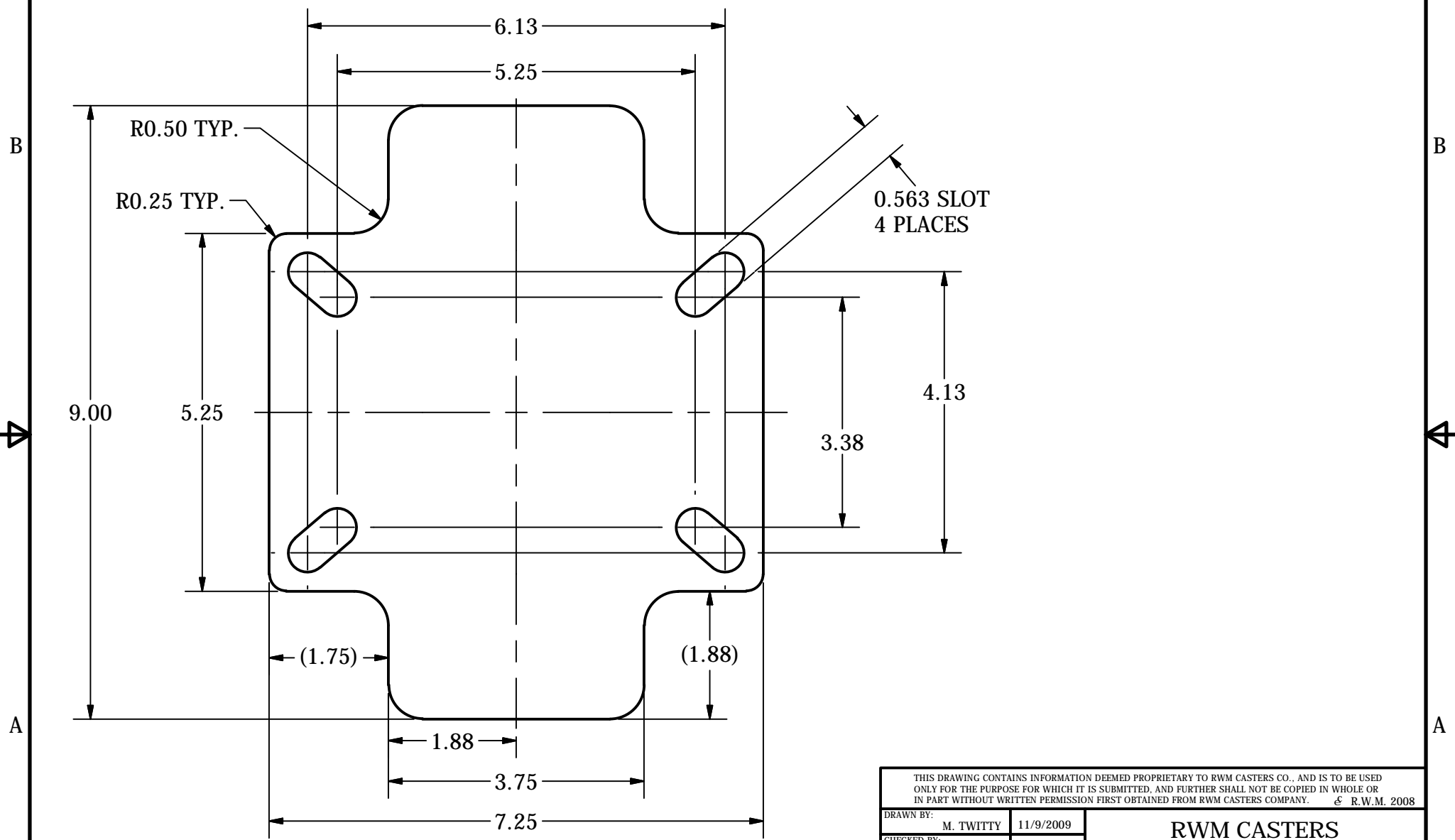


2

1

REVISION HISTORY

REV	BY	CHK	C.R. No.	DATE	DESCRIPTION
A	MDT	JKA		11/9/09	INITIAL RELEASE



NOTES:  
 1. BREAK SHARP EDGES AND REMOVE ALL BURRS.  
 2. ALL DIMENSIONS IN ( ) ARE REFERENCE.  
 3. ALL DIMENSIONS ARE IN INCHES.  
 4. FINISH = 125 RMS (MIN) UNLESS OTHERWISE NOTED.

THIS DRAWING CONTAINS INFORMATION DEEMED PROPRIETARY TO RWM CASTERS CO., AND IS TO BE USED ONLY FOR THE PURPOSE FOR WHICH IT IS SUBMITTED, AND FURTHER SHALL NOT BE COPIED IN WHOLE OR IN PART WITHOUT WRITTEN PERMISSION FIRST OBTAINED FROM RWM CASTERS COMPANY. © R.W.M. 2008

DRAWN BY: M. TWITTY	11/9/2009	<b>RWM CASTERS</b> 1225 Isley Road, P.O. Box 668, Gastonia, NC 28053 Phone: 1-800-634-7704, Fax: 1-800-253-6634
CHECKED BY: JKA	11/9/2009	
MATERIAL: <b>MILD STEEL</b>		2-76 DUAL WHEEL RIGID TOP PLATE FOR
WEIGHT		3 INCH
UNLESS OTHERWISE SPECIFIED		SIZE A
0.XXX ± 0.005 0.XX ± 0.03 ANG. 1-		DWG NO. <b>9000001066</b>
		REV <b>A</b>

SHEET 1 OF 1

2

1