

RWM's CargoMax Gold™ is the strongest, most durable air cargo caster on the market. The CargoMax™ air cargo caster features a robust foot guard built specifically for use on sorting decks. The foot guard prevents foot entry into the caster mounting hole and assists in providing a safer, more productive working environment on sortation decks.



BENEFITS

CargoMax™ air cargo casters can take the heaviest blows from all types of cargo containers with the highest impact resistance in the industry. It outshines the competition in endurance with premium features such as precision bearings, protective guards, high-strength polymer wheels and a rivet-protecting shield.

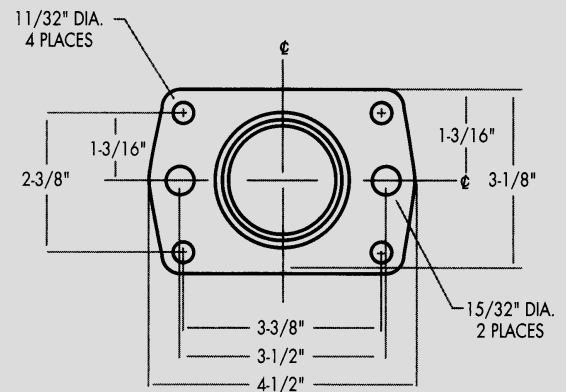
MAIN FEATURES OF THE CARGOMAX GOLD

Precision Ball Bearing: All wheels and swivel raceways have precision ball bearings for better load distribution, strength in side thrust applications, and ease of mobility.

Capacity: 500 lbs.

Finish: Type II Gold

RAPIDSTOCK™
Ships in 5 days or less



WHEEL DIAMETER	WHEEL WIDTH	CAPACITY	WHEEL TYPE	OVERALL HEIGHT	BALL BEARING	SWIVEL LEAD	APPROX. WEIGHT
2-5/16"	1-5/16"	500	Hytrel	3-25/32"	26-USB-2313-S6-TG-FG-T2Z	1"	2.46
2-3/4"	1-5/16"	500	Hytrel	4"	26-USB-2713-S6-TG-FG-T2Z	1"	2.54